

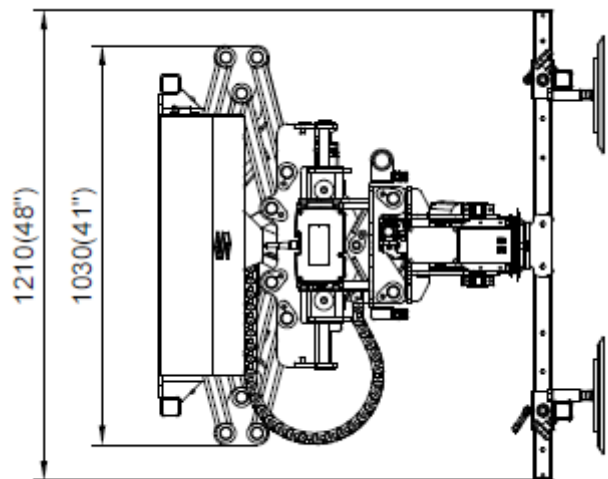
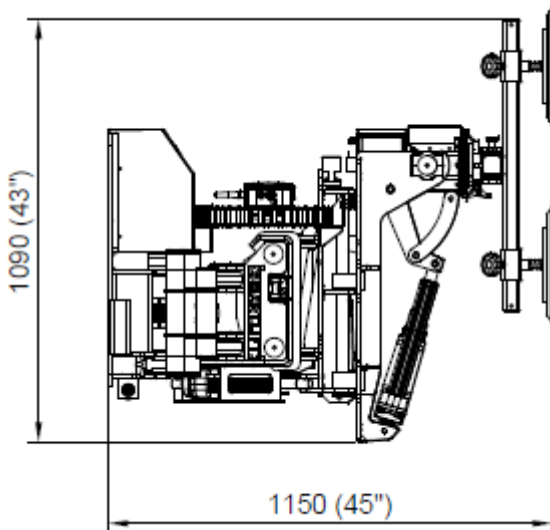
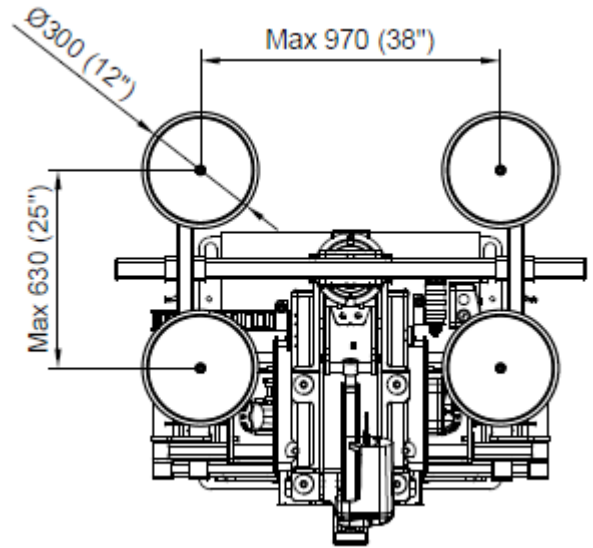


SMARTLIFT®

SL400 RT SKYLIFTER

Technical specifications

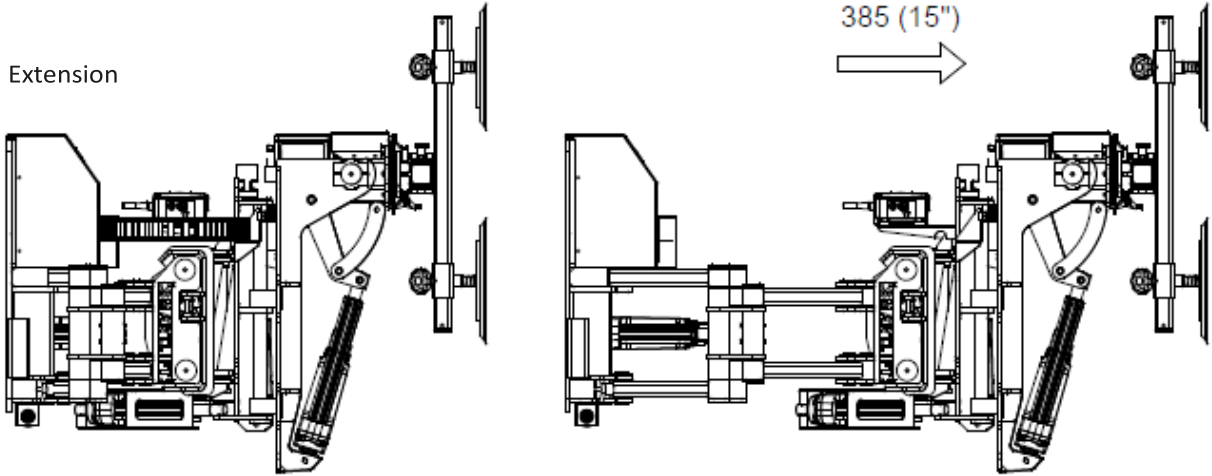
Lifting capacity	400kg / 880lb
Curb weight	360kg / 790lb
Suction pads	4xØ300mm / 4x12in
Charging voltage	230V / 110V
Charging time	Approx. 4 hours
Running period	Up to 8 hours
Extension	385mm / 15in
Up / down	200mm / 8in
Tilt	92° fwd. / 14° back
Sideshift - Parallel	200mm / 8in
Sideshift - Arms	300mm / 12in
Yawn	44°
Rotation	320°



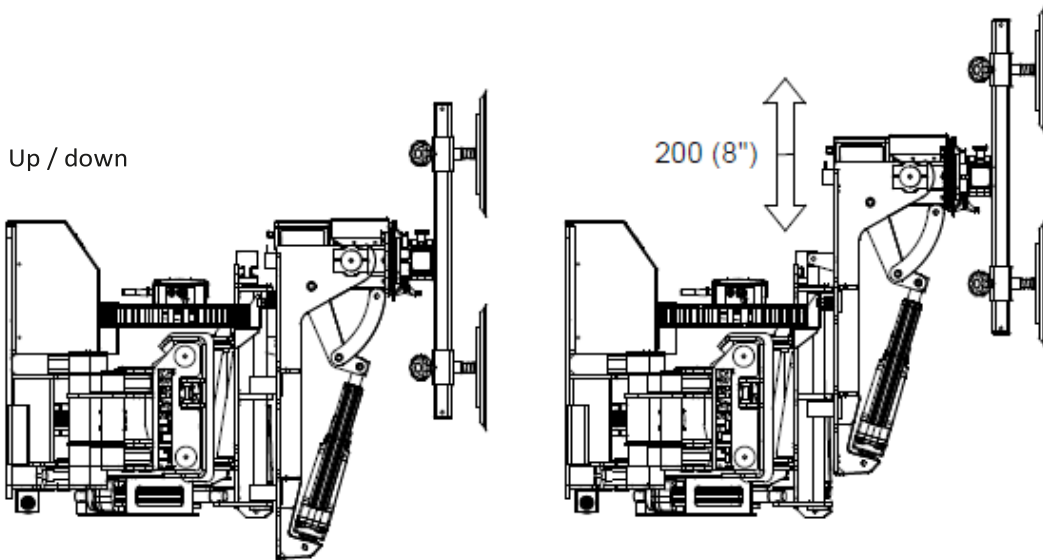


SMARTLIFT®

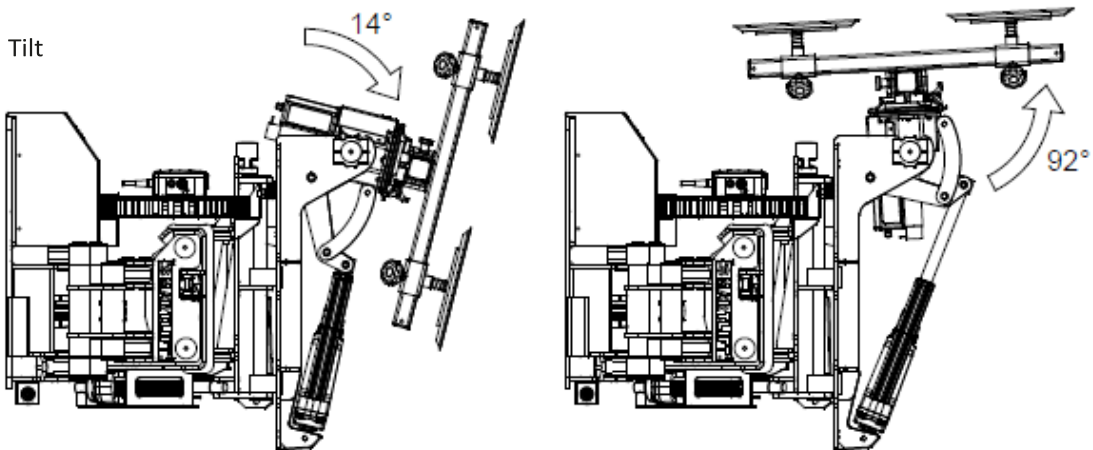
Extension



Up / down



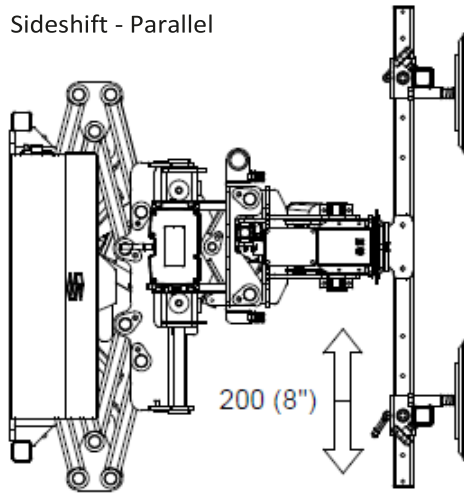
Tilt



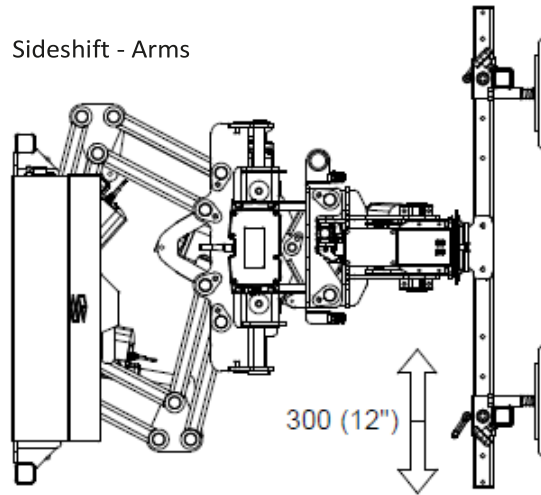


SMARTLIFT®

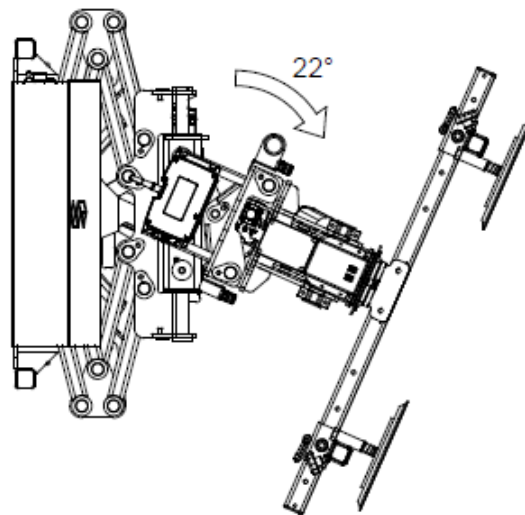
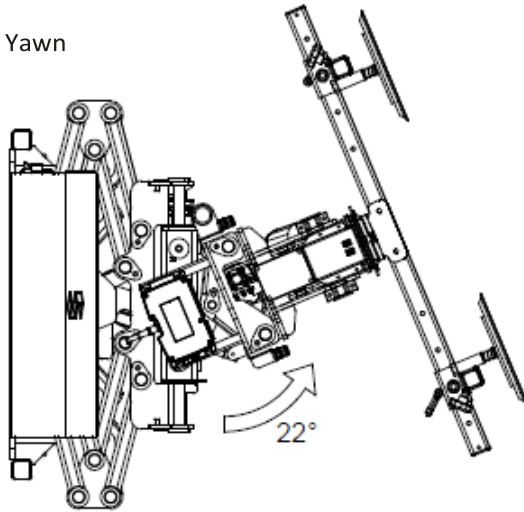
Sideshift - Parallel



Sideshift - Arms



Yawn



Rotation

